



THE CASPIAN COLLECTION
CORDLESS TABLE LAMPS

2021 CATALOGUE



CASPIAN COLLECTION



INNOVATIVE CORDLESS LAMPS

We are proud to represent a this stunning collection of cordless table lamps. The Caspian Collection features exceptional design and superb hand-craftmanship. Each lamp is completely cordless and features unlimited colours, shockproof ability, waterproof ability, heat and cold resistancy, and resistancy to high and low humidity. These lamps can be safely used both indoors and outdoors and feature stunning designs which will suit any decor.

Operate your lamp using the included remote control or you may use the push buttons located on the base of the lamp. To charge simply place your lamp on the dedicated charging plate for the required time . Check the battery indicator on the base of the lamp to easily identify the percentage of charge left on your lamp.

MOJO



CLASSIC



DESIGNER



LUXURY



SHOCKPROOF • CORDLESS • RECHARGEABLE • WEATHER PROOF



CASPIAN COLLECTION *DESIGNER*

Exquisite, shatterproof designs



The Designer lamps are made of injection molded PPMA and PC material, creating a fully transparent sandblasted table light collection with a high-class imitation glass look. The Designer lamps add ambiance and a touch of elegance to any table. These innovative lamps have the appearance of glass to ensure they still remain an exceptional choice for even the most exquisite establishments. The level of detail within each design is exceptional and has been flawlessly executed to create a stunning focal art piece to illuminate any setting.

FEATURES

- Unbreakable imitation glass
- Single charger (1 port)
- Sackable multi charger (8 ports)
- Battery indicator
- Color LOCK function
- Remote control operation
- Push button controlled
- Warm White
- Colour mode

OPERATION DURATION

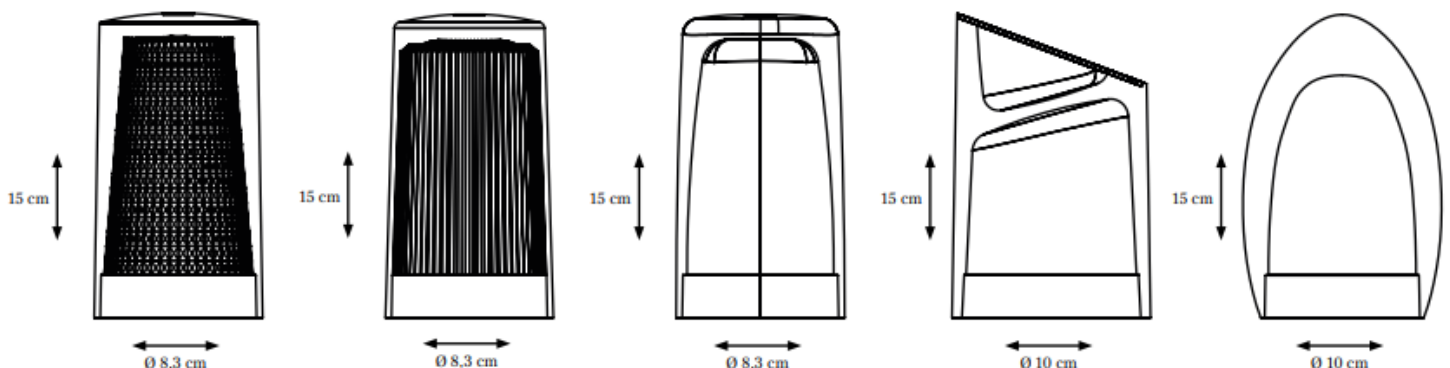
- 18 hours High white colour
- 64 hours Low white colour
- 18 hours Colour mix
- 26 hours Colour fix
- 22 hours Candle effect
- 8 hours Charging time

LIGHTING OPTIONS

- 24 Pre-programmed colours
- 160000 Colours Mix mode
- Fix a colour mode
- 2 Candle modes
- 4 Brightness modes
- Warm White mode

TECHNICAL

- Battery: 3.7V Li-Polymer - 2400 mAh
- Numbers of LEDs: 12 LED ¼ TURN
- LED lifetime-hours: +50 000 hours
- Charger plate: Direct Charging
- Energy consumption: 2.04 W
- IP Rating: IP52 / Rain and Dust Proof
- Input: 100-240V AC ~50/60 Hz
- Output: DC 6V 1A
- Remote controller: Infra-red Remote (sold separately)
- Material: PMMA + PC
- Warranty: 12 months manufacturers' warranty



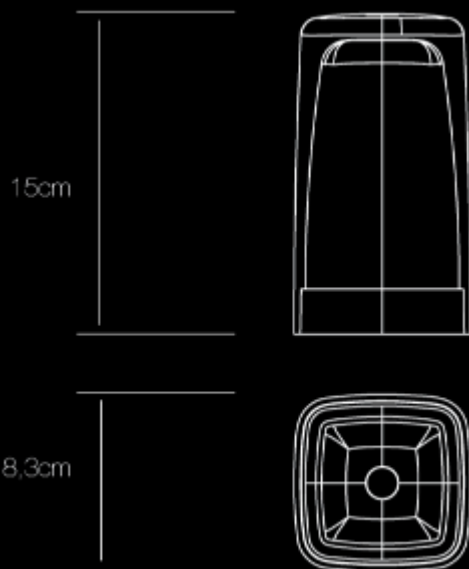
NOBI



Product Code: CASP/DES-052H

The Nobi is a cube shaped cordless table lamp made of imitation glass, perfectly finished with a cubic injection on the inside.

Dimensions: 15H x 8.3W x 8.3cm



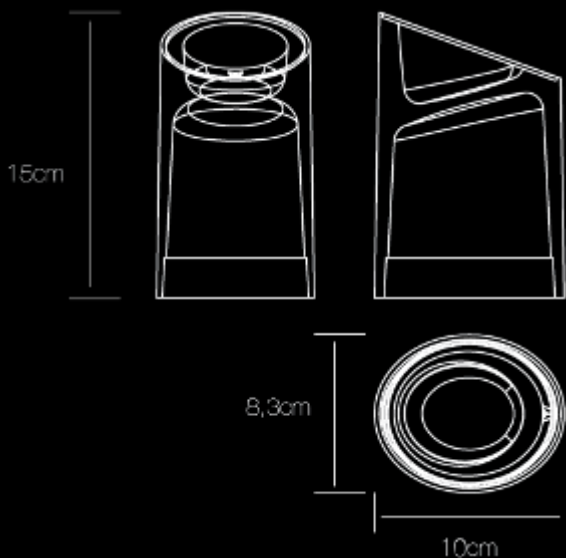
KOSI



Product Code: CASP/DES-055H

The Kosi is a cordless table lamp made of imitation glass. This lamp is perfectly finished with an injection on the inside and metal plate on the top.

Dimensions: 15H x 8.3W cm

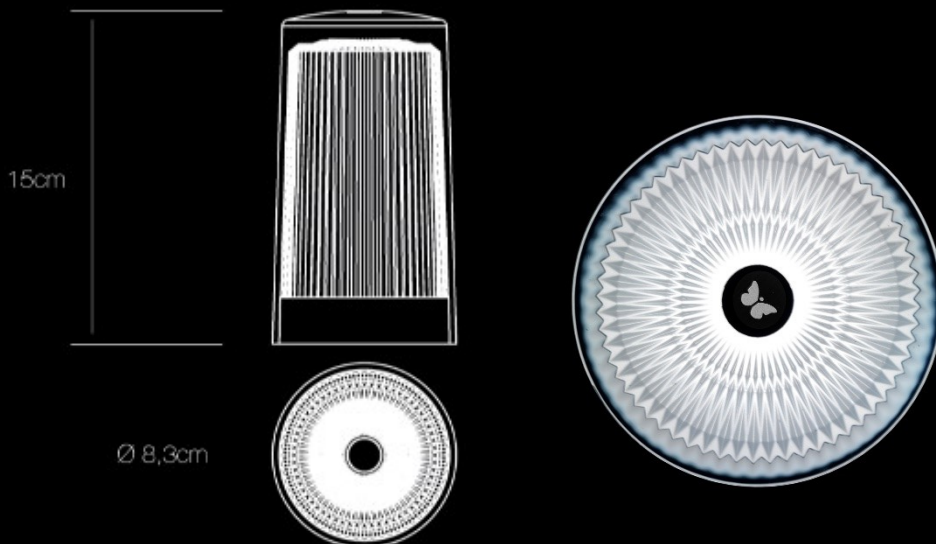


PLISÉE

Product Code: CASP/DES-050H

The Plisée is a cylindric shaped cordless table lamp made of imitation glass, perfectly finished with vertical striped pattern on the inside.

Dimensions: 15H x 8.3W cm



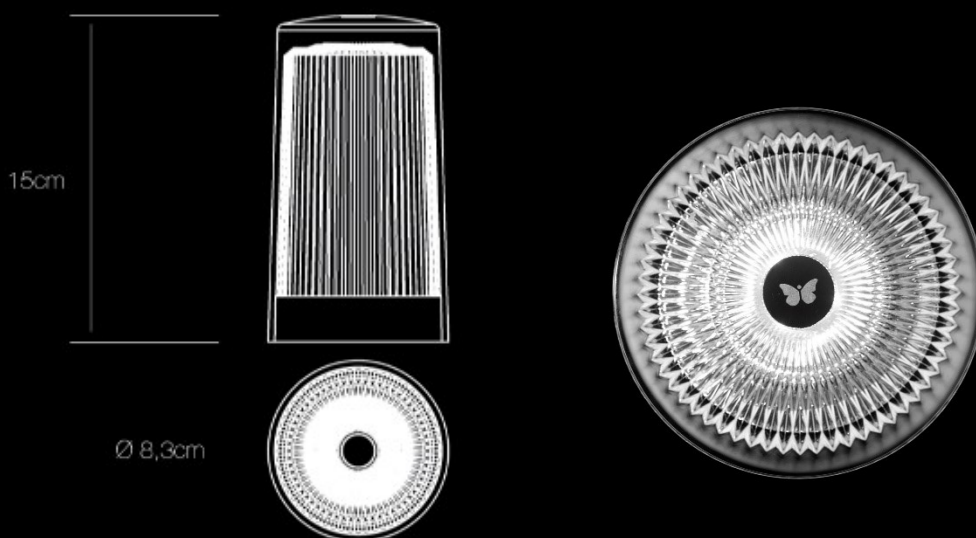
PLISÉE GLITTER



Product Code: CASP/DES-051H

The Plisée Glitter is a cylindric shaped cordless table lamp made of imitation glass, perfectly finished with a striped pattern on the inside.

Dimensions: 15H x 8.3W cm



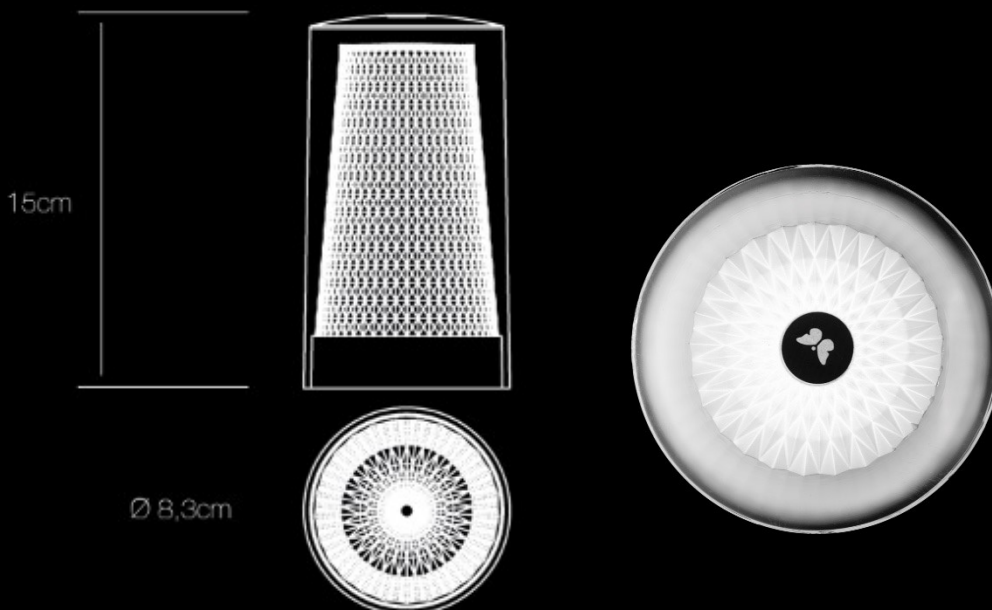
VENETIAN



Product Code: CASP/DES-048H

The Venetian is a cylindric shaped cordless table lamp made of imitation glass, perfectly finished with pattern on the inside.

Dimensions: 15H x 8.3W cm



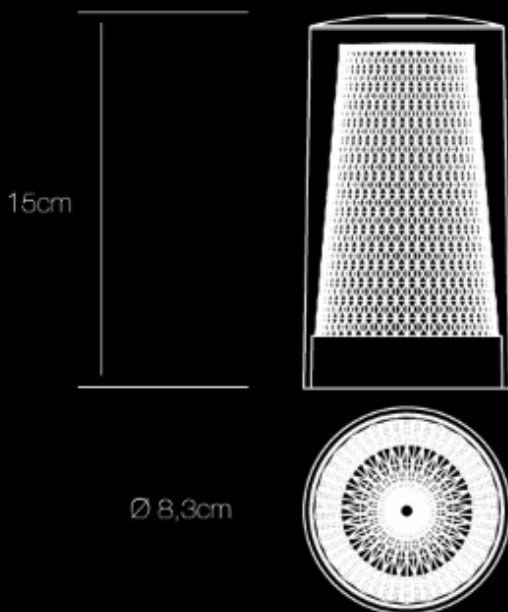
VENETIAN GLITTER



Product Code: CASP/DES-049H

The Venetian Glitter is a cylindric shaped cordless table lamp made of imitation glass, perfectly finished with glittered pattern on the inside.

Dimensions: 15H x 8.3W cm



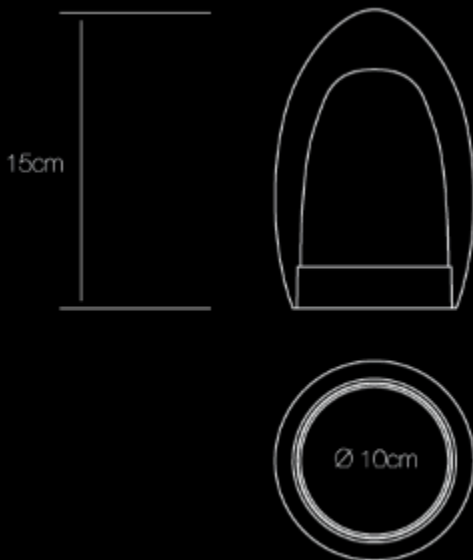
ROMÉE



Product Code: CASP/DES-053H

The Romée is an egg shaped cordless lamp made of imitation glass, perfectly finished with injection on the inside.

Dimensions: 15H x 10W cm



CASPIAN COLLECTION *CLASSIC*



Classic shapes, timeless appeal



The Classic lamps are made of a durable PE material and has been designed with outdoor usage in mind. This collection fits any modern interior and will set the mood on your terrace or patio.

FEATURES

- Durable PE material
- Single charger (1 port)
- Sackable multi charger (8 ports)
- Battery indicator
- Color LOCK function
- Remote control operation
- Push button controlled
- Warm White
- Colour mode

OPERATION DURATION

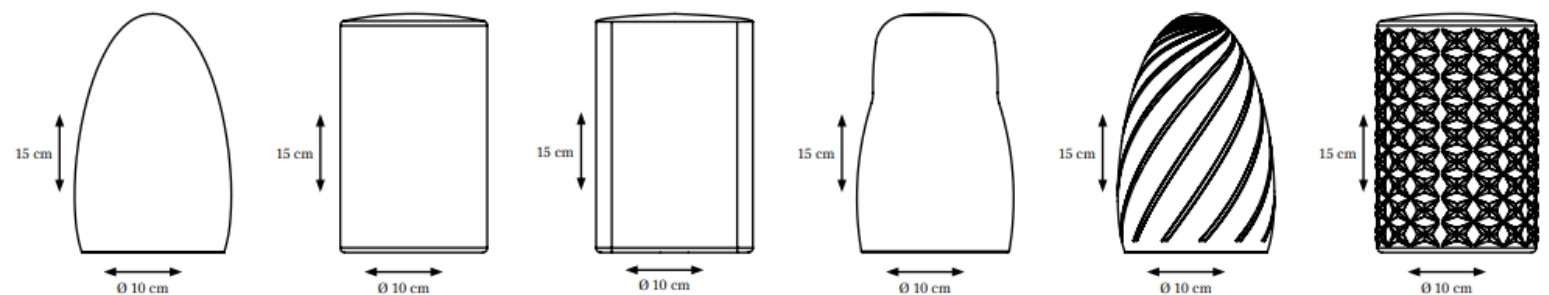
- 10.5 hours High white colour
- 37 hours Low white colour
- 10.5 hours Colour mix
- 15 hours Colour fix
- 12.5 hours Candle effect
- 4.5 hours Charging time

LIGHTING OPTIONS

- 24 Pre-programmed colours
- 160000 Colours Mix mode
- Fix a colour mode
- 2 Candle modes
- 4 Brightness modes
- Warm White mode

TECHNICAL

- Battery: 3.7V Li-Polymer - 1400 mAh
- Numbers of LEDs: 12 LEDs
- LED lifetime-hours: +50 000 hours
- Charger plate: Direct Charging
- Energy consumption: 2.04 W
- IP Rating: IP52 / Rain and Dust Proof
- Input: 100-240V AC ~50/60 Hz
- Output: DC V6V 1A
- Remote controller: Infra-red Remote (sold separately)
- Material: PE
- Warranty: 12 months manufacturers' warranty



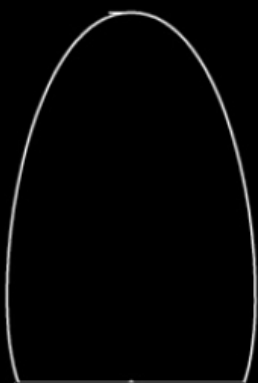
BULLIT



The Bullit is an egg shaped lamp made of durable PE with a smooth finish.

Dimensions: 15H x 10W cm

Product Code: CASP/CSC-020H



Ø 10 CM

15 CM



CASPIAN COLLECTION *CLASSIC*



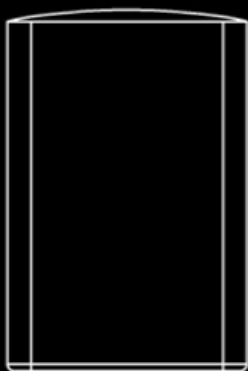
CUBIC



The Cubic is a cube shaped lamp made of durable PE with a smooth finish.

Dimensions: 15H x 10W cm

Product Code: CASP/CSC-022H



15 CM

Ø 10 CM



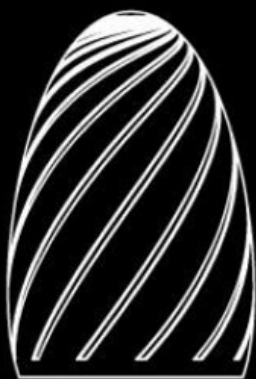
GHERKIN



The Gherkin is an egg shaped lamp made of durable PE, featuring a decorative swirl pattern from the top to base of the lamp.

Dimensions: 15H x 10W x 8.3cm

Product Code: CASP/CSC-022H



15 CM

Ø 10 CM



CYLINDRO



The Cylindro is a cylindric shaped lamp made of durable PE with smooth finish.

Dimensions: 15H x 10W cm

Product Code: CASP/CSC-021H



15 CM

Ø 10 CM



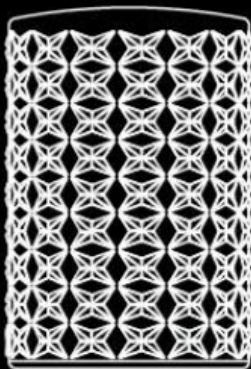
SHADOW



The Shadow is a cylindrical shaped lamp made of durable PE with a decorative finish on the outside of the lamp.

Dimensions: 15H x 10W cm

Product Code: CASP/CSC-032H



15 CM

Ø 10 CM



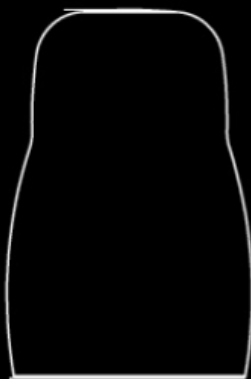
MATROUSHKA



The Matroushka is a unique shaped lamp made of durable PE with a smooth finish, shape inspired by the matroushka doll.

Dimensions: 15H x 10W cm

Product Code: CASP/CSC-030H



15 CM

Ø 10 CM



CASPIAN COLLECTION *MOJO*



Fun and versatile



The Mojo lamp is a fun and versatile lamp which has been crafted using durable PC (polycarbonate) material. The Mojo has been designed with indoor usage in mind, but also has the possibility to be used outdoors. This range is offered as a budget-friendly option and adds a modern touch to your interior/ exterior. The lamp includes three different clip-on caps. Choose between classy black, funky blue and relaxing beige.

FEATURES

- PC material
- Three colour caps (included)
- Single charger (1 port)
- Sackable multi charger (8 ports)
- Battery indicator
- Color LOCK function
- Remote control operation
- Push button controlled

OPERATION DURATION

- 10.5 hours High white colour
- 37 hours Low white colour
- 10.5 hours Colour mix
- 15 hours Colour fix
- 12.5 hours Candle effect
- 4.5 hours Charging time

LIGHTING OPTIONS

- 24 Pre-programmed colours
- 160000 Colours Mix mode
- 2 Colour Fix Modes
- 2 Candle modes
- 4 Brightness modes

TECHNICAL

- Battery: 3.7V Li-Polymer - 1400 mAh
- Numbers of LEDs: 12 LEDs
- LED lifetime-hours: +50 000 hours
- Charger plate: Direct Charging
- Energy consumption: 2.04 W
- IP Rating: IP52 / Rain and Dust Proof
- Input: 100-240V AC ~50/60 Hz
- Output: DC V6V 1A
- Remote controller: Infra-red Remote (sold separately)
- Material: PC
- Warranty: 12 months manufacturers' warranty





Product Code: CASP/MOJO-059

Weight / 0.40 kg

Dimensions / \varnothing 7.66cm x H13.5 cm

Lamp is sold separately from charger — please indicate your charging method

1. Single charger - remote control sold separately
2. Multi charger (8 ports) - remote control included

The MOJO includes 3 different coloured clip-on caps - beige, black, blue



CASPIAN COLLECTION *LUXURY*

Complex and enchanting



Like a fine wine, these decadent lamps have been meticulously designed to ensure they are equally complex and enchanting. Finished in a deep-brushed anodizing or mirror-polished powder coating, available in 9 colours, these lamps perform well in both indoor and outdoor environments. Both collections offer extreme light output and the ability to light-up warm white and RGB. An optional battery slot guarantees only one recharge a week.

The **Petit Cru** features one light head and the **Grand Cru** features two light heads for double the illumination. The **Demoiselle** lamps are available in a tall and short version with each 6 illuminated heads.

FEATURES

- 25 pre-programmed colours including warm white 2300K and 2700 Kelvin
- 2 romantic candle flickering effect modes (yellow and orange)
- 2 ultra-slow enjoyable automatic mix modes showing 160,000 colours
- 4 Dimmer modes
- Battery indicator
- Automatic light shut-off when placed on charger
- Colour lock and anti-theft function (only with remote control)
- Up to 65 hours of light with one recharge
- Battery recharge 7 hours
- Waterproof IP52 (dust and rain resistant)
- Remote control included + push button controlled

TECHNICAL SPECIFICATIONS

Specifications for each lamp style varies.
Please request separate catalogue for full specifications and options:
Caspian Collection - Luxury Cordless Lamps



PETIT CRU

Cordless lamp featuring one light head



Lamp dimensions: H 32.50 x D 6.70 x W 17.30 cm

Weight: 405 grams

GRAND CRU

Cordless lamp featuring two light heads for double the illumination



Lamp dimensions: H 32.40 x D 6.70 x W 25.9 cm

Weight: 560 grams

Colour options for Petit Cru & Grand Cru: Yellow Gold, Bronze, Lava, Aluminium, Copper, White, Black, Sand



DEMOISELLE SMALL

Cordless lamp featuring 6 choices of illuminated heads in short design



Lamp dimensions: H 14.50 Ø 9.79 to 10.03 cm

Weight: Varies from 331 to 410 grams (depending on head style)

DEMOISELLE TALL

Cordless lamp featuring 6 choices of illuminated heads in short design



Lamp dimensions: H 32.40 cm Ø 9.79 to 10.03 cm

Weight: Varies from 396 to 479 grams (depending on head style)

Colour options: Yellow Gold, Bronze, Lava, Aluminium, Copper, White, Black, Sand



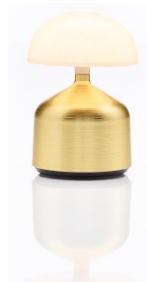
Metal Bowl



Metal Cylinder



Metal Cap



Opal Bowl



Opal Cylinder



Opal Cap



Compatible with all lamp styles

Each Charging base poses an intelligent induction charging system, using electromagnetic energy fields to transfer energy to the lamps.

Each Multi Charger base plate has 8 charging ports, allowing you to charge all lamps simultaneously using 1 power outlet. The base plates are also stackable up to 10 levels allowing you to accommodate up to 80 lamps.

SINGLE CHARGER

Product Code: CASP/024

Includes: Single Base Charging Plate, Adaptor



SINGLE CHARGING SET

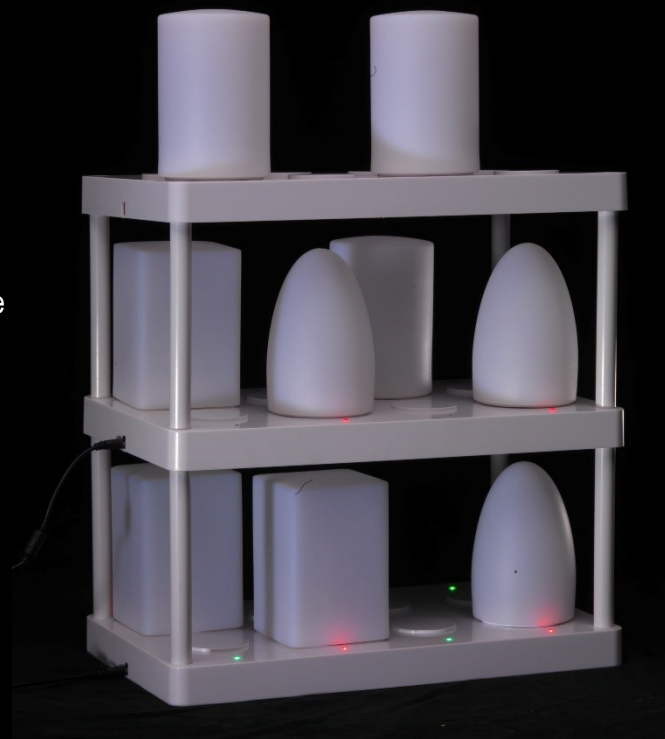
Product Code: CASP/026

Includes: Single Base Charging Plate, Adaptor, Remote



Additional Remote Controls available to purchase separately

Product Code: CASP/043



MULTI CHARGER

Product Code: CASP/025

Includes: Multi Base Charging Plate, Adaptor, 2 x Remote Controls





WORLDWIDE DELIVERY AVAILABLE

Order enquiries and further information:

☎ +61 08 9306 8598 or Mobile +61 0435 027 646

✉ sales@atollalighting.com.au

🌐 www.atollalighting.com.au